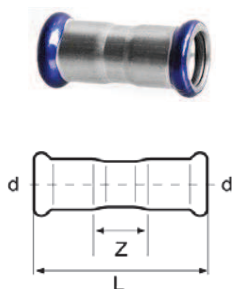
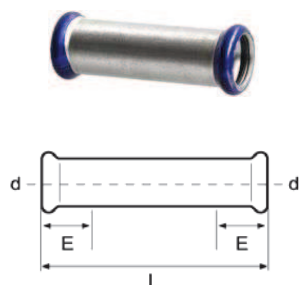


COUPLING



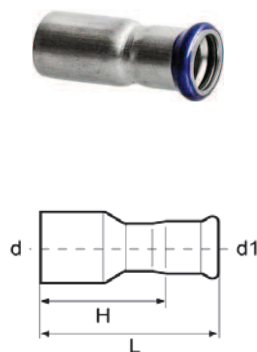
Part No.	d	L	Z	weight gramm	min. lot
S10AB-LBP	12		<i>in progress</i>		
S10AC-LBP	15	52	10	39	100
S10AD-LBP	18	52	10	44	100
S10AE-LBP	22	59	13	62	100
S10AF-LBP	28	61	13	78	100
S10AG-LBP	35	72	18	109	60
S10AH-LBP	42	79	15	148	30
S10AJ-LBP	54	90	16	210	30
S10AK	76,1	142	32	594	5
S10AL	88,9	163	37	792	5
S10AM	108	192	38	1.193	5

SLIP COUPLING



Part No.	d	L	E	weight gramm	min. lot
S11AB-LBP	12		<i>in progress</i>		
S11AC-LBP	15	71	24	52	100
S11AD-LBP	18	77	25	63	50
S11AE-LBP	22	82	27	84	50
S11AF-LBP	28	90	28	114	50
S11AG-LBP	35	99	31	149	50
S11AH-LBP	42	115	35	216	30
S11AJ-LBP	54	139	40	322	20
S11AK	76,1	230	60	874	5
S11AL	88,9	258	70	1.196	5
S11AM	108	305	80	1.775	5

REDUCER WITH PLAIN END

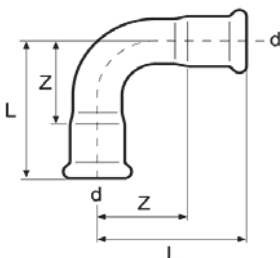


Part No.	d - d1	L	H	weight gramm	min. lot
S12CB-LBP	15-12		<i>in progress</i>		
S12DB-LBP	18-12		<i>in progress</i>		
S12DC-LBP	18-15	55	34	40	100
S12EB-LBP	22-12		<i>in progress</i>		
S12EC-LBP	22-15	60	39	45	100
S12ED-LBP	22-18	57	36	47	100
S12FC-LBP	28-15	72	51	56	80
S12FD-LBP	28-18	77	56	61	80
S12FE-LBP	28-22	67	44	64	100
S12GC-LBP	35-15	82	61	84	30
S12GD-LBP	35-18	87	66	90	30
S12GE-LBP	35-22	83	60	88	80
S12GF-LBP	35-28	73	49	88	80
S12HC-LBP	42-15	91	70	114	20
S12HD-LBP	42-18	96	75	118	20
S12HE-LBP	42-22	87	64	116	30
S12HF-LBP	42-28	98	74	140	30
S12HG-LBP	42-35	79	52	114	30
S12JC-LBP	54-15	110	89	180	15
S12JD-LBP	54-18	113	92	188	15
S12JE-LBP	54-22	107	84	184	15
S12JF-LBP	54-28	99	75	185	20
S12JG-LBP	54-35	128	101	206	20
S12JH-LBP	54-42	97	65	191	20
S12KH-LBP	76,1-42	151	119	456	5
S12KJ-LBP	76,1-54	140	103	451	5
S12LJ-LBP	88,9-54	156	119	600	5
S12LK	88,9-76,1	156	101	682	5
S12MJ-LBP	108-54	204	167	876	5
S12MK	108-76,1	196	141	978	5
S12ML	108-88,9	190	127	992	5

BEND 90°



R = 1,5 d



R = 1,2 d

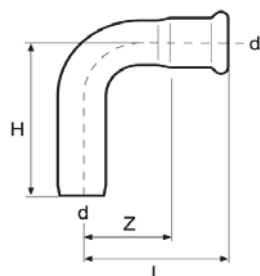
Part No.	d	L	Z	weight gramm	min. lot
S20AC-LBP	15	48	27	57	100
S20AD-LBP	18	53	32	70	100
S20AE-LBP	22	60	37	97	100
S20AF-LBP	28	71	47	144	60
S20AG-LBP	35	87	60	206	60
S20AH-LBP	42	115	83	314	30
S20AJ-LBP	54	142	105	499	20

Part No.	d	L	Z	weight gramm	min. lot
S20ZB-LBP	12			<i>in progress</i>	
S20ZG-LBP	35	75	48	172	60
S20ZH-LBP	42	89	57	250	30
S20ZJ-LBP	54	107	70	391	20
S20ZK	76,1	150	95	966	5
S20ZL	88,9	174	111	1.325	5
S20ZM	108	215	138	1.948	5

BEND 90° WITH PLAIN END



R = 1,5 d



R = 1,2 d

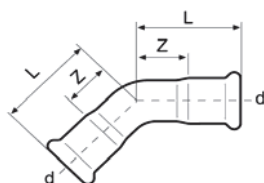
Part No.	d	L	H	Z	weight gramm	min. lot
S21AC-LBP	15	48	56	27	58	100
S21AD-LBP	18	53	62	32	72	100
S21AE-LBP	22	60	68	37	100	100
S21AF-LBP	28	71	80	47	144	50
S21AG-LBP	35	87	93	60	206	50
S21AH-LBP	42	115	125	83	310	20
S21AJ-LBP	54	142	149	105	394	20

Part No.	d	L	H	Z	weight gramm	min. lot
S21ZB-LBP	12				<i>in progress</i>	
S21ZG-LBP	35	75	83	48	166	50
S21ZH-LBP	42	89	97	57	258	20
S21ZJ-LBP	54	107	116	70	376	20
S21ZK	76,1	150	165	95	982	5
S21ZL	88,9	174	190	111	1.316	5
S21ZM	108	215	238	138	1.932	5

BEND 45°



R = 1,5 d



R = 1,2 d

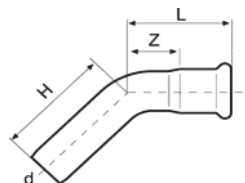
Part No.	d	L	Z	weight gramm	min. lot
S22AC-LBP	15	37	16	49	100
S22AD-LBP	18	38	17	58	100
S22AE-LBP	22	44	21	80	100
S22AF-LBP	28	51	27	118	50
S22AG-LBP	35	59	32	161	50
S22AH-LBP	42	77	45	258	20
S22AJ-LBP	54	88	51	374	20

Part No.	d	L	Z	weight gramm	min. lot
S22ZB-LBP	12			<i>in progress</i>	
S22ZG-LBP	35	49	22	162	50
S22ZH-LBP	42	63	31	216	20
S22ZJ-LBP	54	75	38	304	20
S22ZK	76,1	98	43	773	5
S22ZL	88,9	112	49	1.008	5
S22ZM	108	138	61	1.524	5

BEND 45° WITH PLAIN END



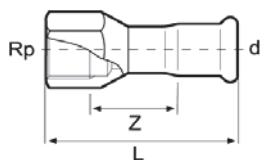
R = 1,5 d



R = 1,2 d

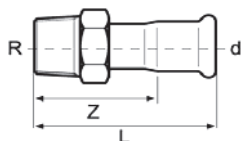
Part No.	d	L	H	Z	weight gramm	min. lot
S23AC-LBP	15	37	48	16	60	100
S23AD-LBP	18	38	45	17	59	100
S23AE-LBP	22	44	53	21	85	100
S23AF-LBP	28	51	60	27	117	50
S23AG-LBP	35	59	66	32	166	50
S23AH-LBP	42	77	80	45	258	20
S23AJ-LBP	54	88	97	51	370	20
Part No.	d	L	H	Z	weight gramm	min. lot
S23ZB-LBP	12	<i>in progress</i>				
S23ZG-LBP	35	49	51	22	128	50
S23ZH-LBP	42	63	72	31	310	20
S23ZJ-LBP	54	75	83	38	308	20
S23ZK	76,1	98	117	43	767	5
S23ZL	88,9	112	131	49	998	5
S23ZM	108	138	154	61	1.510	5

ADAPTOR WITH FEMALE THREAD



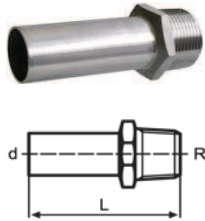
Part No.	d - Rp	L	Z	weight gramm	min. lot
S80PB-LBP	12-Rp $\frac{1}{2}$	<i>in progress</i>			
S80PC-LBP	15-Rp $\frac{1}{2}$	53	20	52	100
S80QC-LBP	15-Rp $\frac{3}{4}$	67	33	81	60
S80PD-LBP	18-Rp $\frac{1}{2}$	51	18	52	100
S80QD-LBP	18-Rp $\frac{3}{4}$	57	23	780	100
S80PE-LBP	22-Rp $\frac{1}{2}$	52	17	780	100
S80QE-LBP	22-Rp $\frac{3}{4}$	56	20	75	100
S80RE-LBP	22-Rp1	70	31	108	80
S80QF-LBP	28-Rp $\frac{3}{4}$	73	36	105	80
S80RF-LBP	28-Rp1	62	22	103	80
S80SF-LBP	28-Rp1 $\frac{1}{4}$	80	39	188	50
S80RG-LBP	35-Rp1	81	38	134	50
S80SG-LBP	35-Rp1 $\frac{1}{4}$	72	28	174	50
S80TG-LBP	35-Rp1 $\frac{1}{2}$	83	39	264	50
S80SH-LBP	42-Rp1 $\frac{1}{4}$	94	45	220	20
S80TH-LBP	42-Rp1 $\frac{1}{2}$	74	25	274	30
S80TJ-LBP	54-Rp1 $\frac{1}{2}$	106	52	396	20
S80VJ-LBP	54-Rp2	84	25	352	20

ADAPTOR WITH MALE THREAD



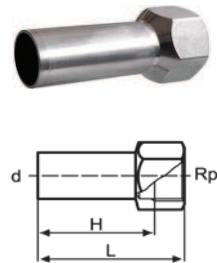
Part No.	d - R	L	Z	weight gramm	min. lot
S81PB-LBP	12-R $\frac{1}{2}$	<i>in progress</i>			
S81NC-LBP	15-R $\frac{3}{8}$	50	29	50	100
S81PC-LBP	15-R $\frac{1}{2}$	52	31	52	100
S81QC-LBP	15-R $\frac{3}{4}$	64	43	70	50
S81PD-LBP	18-R $\frac{1}{2}$	52	31	53	100
S81QD-LBP	18-R $\frac{3}{4}$	54	33	67	50
S81PE-LBP	22-R $\frac{1}{2}$	68	45	73	100
S81QE-LBP	22-R $\frac{3}{4}$	58	35	74	100
S81RE-LBP	22-R1	72	49	120	100
S81QF-LBP	28-R $\frac{3}{4}$	73	49	100	80
S81RF-LBP	28-R1	62	38	115	100
S81SF-LBP	28-R1 $\frac{1}{4}$	79	55	172	50
S81RG-LBP	35-R1	82	55	148	50
S81SG-LBP	35-R1 $\frac{1}{4}$	70	43	170	50
S81TG-LBP	35-R1 $\frac{1}{2}$	84	57	198	30
S81SH-LBP	42-R1 $\frac{1}{4}$	93	61	216	20
S81TH-LBP	42-R1 $\frac{1}{2}$	75	43	204	20
S81TJ-LBP	54-R1 $\frac{1}{2}$	105	68	271	20
S81VJ-LBP	54-R2	87	50	372	20
S81XK	76,1-R 2 $\frac{1}{2}$	125	70	804	5
S81YL	88,9-R 3	138	75	1.172	5

ADAPTOR WITH MALE THREAD AND PLAIN END



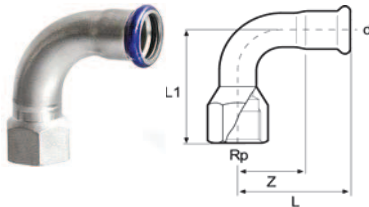
Part No.	d - R	L	weight gramm	min. lot
S87PC	15-R $\frac{1}{2}$	70	48	100
S87PD	18-R $\frac{1}{2}$	70	48	100
S87QE	22-R $\frac{3}{4}$	75	76	100
S87RF	28-R1	75	110	80
S87SG	35-R1 $\frac{1}{4}$	80	170	80
S87TH	42-R1 $\frac{1}{2}$	91	220	50
S87VJ	54-R2	102	384	50

ADAPTOR WITH FEMALE THREAD AND PLAIN END



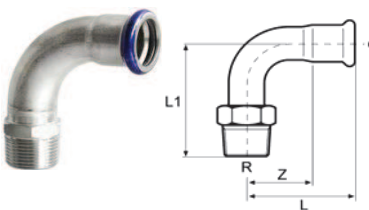
Part No.	d - Rp	H	L	weight gramm	min. lot
S86PC	15-Rp $\frac{1}{2}$	136	148	72	100
S86PD	18-Rp $\frac{1}{2}$	136	148	82	100
S86QD	18-Rp $\frac{3}{4}$	135	148	130	100
S86PE	22-Rp $\frac{1}{2}$	140	152	150	100
S86QE	22-Rp $\frac{3}{4}$	139	152	120	100
S86RF	28-Rp1	94	110	126	80
S86SG	35-Rp1 $\frac{1}{4}$	93	110	210	80
S86TH	42-Rp1 $\frac{1}{2}$	93	110	300	50
S86VJ	54-Rp2	98	120	402	50

BEND ADAPTOR 90° WITH FEMALE THREAD



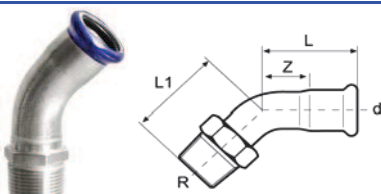
Part No.	d - Rp	L	L1	Z	weight gramm	min. lot
S82PC-LBP	15-Rp $\frac{1}{2}$	48	58	27	76	20
S82PD-LBP	18-Rp $\frac{1}{2}$	53	59	32	86	20
S82QE-LBP	22-Rp $\frac{3}{4}$	60	68	37	124	20
S82RF-LBP	28-Rp1	71	81	47	176	20
S82SG-LBP	35-Rp1 $\frac{1}{4}$	87	95	60	284	15

BEND ADAPTOR 90° WITH MALE THREAD



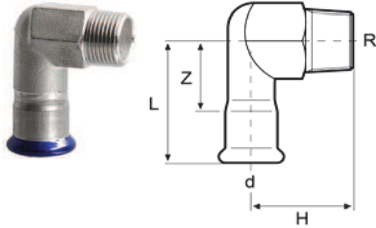
Part No.	d - R	L	L1	Z	weight gramm	min. lot
S83PC-LBP	15-R $\frac{1}{2}$	48	58	27	78	20
S83PD-LBP	18-R $\frac{1}{2}$	53	61	32	86	20
S83QE-LBP	22-R $\frac{3}{4}$	60	69	37	124	20
S83RF-LBP	28-R1	71	81	47	188	20
S83SG-LBP	35-R1 $\frac{1}{4}$	87	94	60	276	15
S83TH-LBP	42-R1 $\frac{1}{2}$	115	116	83	390	15
S83VJ-LBP	54-R2	142	143	105	680	15

BEND ADAPTOR 45° WITH MALE THREAD



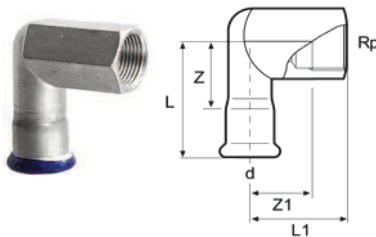
Part No.	d - R	L	L1	Z	weight gramm	min. lot
S85PC-LBP	15-R $\frac{1}{2}$	37	38	16	64	20
S85PD-LBP	18-R $\frac{1}{2}$	38	46	17	73	20
S85QE-LBP	22-R $\frac{3}{4}$	44	51	21	102	20

**ELBOW ADAPTOR 90° WITH MALE
THREAD**



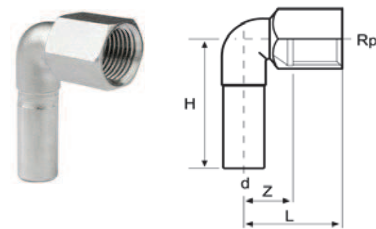
Part No.	d - R	L	H	Z	weight gramm	min. lot
S31PB-LBP	12-R $\frac{1}{2}$	<i>in progress</i>				
S31PC-LBP	15-R $\frac{1}{2}$	53	36	32	91	80
S31QC-LBP	15-R $\frac{3}{4}$	62	38	41	137	50
S31PD-LBP	18-R $\frac{1}{2}$	51	36	30	98	50
S31QD-LBP	18-R $\frac{3}{4}$	67	37	46	143	30
S31QE-LBP	22-R $\frac{3}{4}$	58	40	35	145	50
S31RF-LBP	28-R1	63	44	39	248	50
S31SG-LBP	35-R1 $\frac{1}{4}$	71	48	44	354	30
S31TH-LBP	42-R1 $\frac{1}{2}$	81	53	49	432	15
S31VJ-LBP	54-R2	92	59	55	720	15

**ELBOW ADAPTOR 90° WITH FEMALE
THREAD**



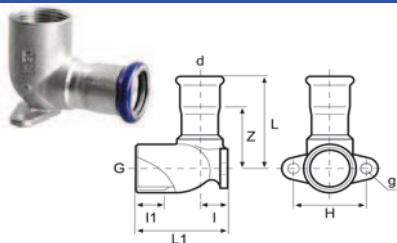
Part No.	d - Rp	L	L1	Z	Z1	weight gramm	min. lot
S30PB-LBP	12-Rp $\frac{1}{2}$	<i>in progress</i>					
S30PC-LBP	15-Rp $\frac{1}{2}$	53	36	32	24	121	80
S30PD-LBP	18-Rp $\frac{1}{2}$	52	39	31	27	122	60
S30QE-LBP	22-Rp $\frac{3}{4}$	57	46	34	33	180	50
S30RF-LBP	28-Rp1	71	54	47	38	340	50
S30SG-LBP	35-Rp1 $\frac{1}{4}$	72	62	45	45	492	30

**ELBOW ADAPTOR 90° WITH FEMALE
THREAD AND PLAIN END**



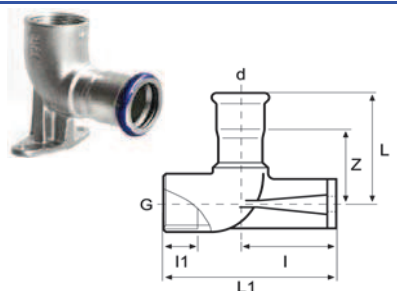
Part No.	d - Rp	L	H	Z	weight gramm	min. lot
S34PC	15-Rp $\frac{1}{2}$	35	53	23	66	50

**90° FEMALE ELBOW WITH WALL
PLATE**



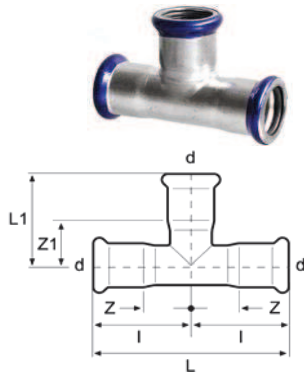
Part No.	d - G (ISO 228)	L	L1	Z	I	I1	H	g	weight gramm	min. lot
S32PB-LBP	12-G $\frac{1}{2}$	<i>in progress</i>								
S32PC-LBP	15-G $\frac{1}{2}$	46	43	25	12	12	34	5	104	80
S32PD-LBP	18-G $\frac{1}{2}$	47	44	26	13	12	34	6	100	60
S32QE-LBP	22-G $\frac{3}{4}$	52	51	29	16	13	40	6	147	60

**90° FEMALE ELBOW WITH LONG
WALL PLATE**



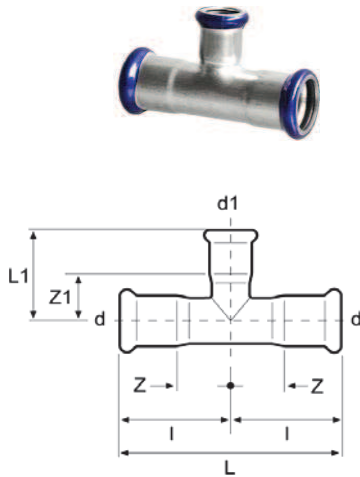
Part No.	d - G (ISO 228)	L	I	L1	Z	I1	weight gramm	min. lot
S33PC-LBP	15-G $\frac{1}{2}$	46	36	65	25	12	156	50
S33PD-LBP	18-G $\frac{1}{2}$	47	36	65	26	12	143	50
S33QE-LBP	22-G $\frac{3}{4}$	52	32	65	29	13	178	50

T-PIECE EQUAL



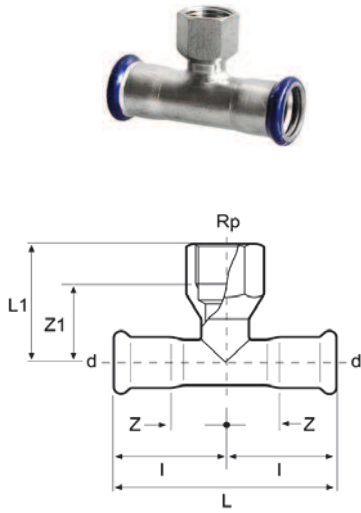
Part No.	d	L	L1	Z	Z1	I	weight gramm	min. lot
S40AB-LBP	12			<i>in progress</i>				
S40AC-LBP	15	74	35	16	14	37	67	100
S40AD-LBP	18	80	35	19	14	40	84	100
S40AE-LBP	22	82	40	18	17	41	110	100
S40AF-LBP	28	92	45	22	21	46	146	80
S40AG-LBP	35	102	55	24	28	51	189	50
S40AH-LBP	42	118	61	27	29	59	278	20
S40AJ-LBP	54	142	72	34	35	71	382	20
S40AK	76,1	232	115	61	60	116	1.170	5
S40AL	88,9	262	127	68	64	131	1.556	5
S40AM	108	312	155	79	78	156	2.276	5

T-PIECE REDUCED



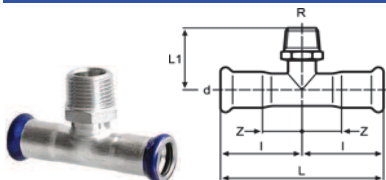
Part No.	d - d1 - d	L	L1	Z	Z1	I	weight gramm	min. lot
S41BC-LBP	15-12-15			<i>in progress</i>				
S41BD-LBP	18-12-18			<i>in progress</i>				
S41CD-LBP	18-15-18	80	36	19	15	40	84	100
S41BE-LBP	22-12-22			<i>in progress</i>				
S41CE-LBP	22-15-22	82	39	18	18	41	98	100
S41DE-LBP	22-18-22	82	38	18	17	41	104	100
S41CF-LBP	28-15-28	92	42	22	21	46	132	80
S41DF-LBP	28-18-28	92	42	22	21	46	134	80
S41EF-LBP	28-22-28	92	45	22	22	46	140	80
S41CG-LBP	35-15-35	102	45	24	24	51	160	50
S41DG-LBP	35-18-35	102	45	24	24	51	164	50
S41EG-LBP	35-22-35	102	46	24	23	51	172	50
S41FG-LBP	35-28-35	102	48	24	24	51	176	50
S41CH-LBP	42-15-42	118	48	27	27	59	226	20
S41DH-LBP	42-18-42	118	48	27	27	59	236	20
S41EH-LBP	42-22-42	118	51	27	28	59	232	30
S41FH-LBP	42-28-42	118	53	27	29	59	240	30
S41GH-LBP	42-35-42	118	60	27	33	59	250	30
S41CJ-LBP	54-15-54	142	56	34	35	71	322	15
S41DJ-LBP	54-18-54	142	55	34	34	71	336	15
S41EJ-LBP	54-22-54	142	57	34	34	71	334	20
S41FJ-LBP	54-28-54	142	60	34	36	71	348	15
S41GJ-LBP	54-35-54	142	66	34	39	71	356	15
S41HJ-LBP	54-42-54	142	64	34	32	71	378	15
S41EK-LBP	76,1-22-76,1	232	68	61	45	116	936	5
S41FK-LBP	76,1-28-76,1	232	71	61	47	116	948	5
S41GK-LBP	76,1-35-76,1	232	75	61	48	116	968	5
S41HK-LBP	76,1-42-76,1	232	79	61	47	116	987	5
S41JK-LBP	76,1-54-76,1	232	80	61	43	116	996	5
S41EL-LBP	88,9-22-88,9	262	76	68	53	131	1.238	5
S41FL-LBP	88,9-28-88,9	262	76	68	52	131	1.182	5
S41GL-LBP	88,9-35-88,9	262	83	68	56	131	120	5
S41HL-LBP	88,9-42-88,9	262	85	68	53	131	1.266	5
S41JL-LBP	88,9-54-88,9	262	93	68	56	131	1.290	5
S41KL	88,9-76,1-88,9	262	116	68	61	131	1.144	5
S41EM-LBP	108-22-108	312	85	79	62	156	1.792	5
S41FM-LBP	108-28-108	312	88	79	64	156	1.798	5
S41GM-LBP	108-35-108	312	94	79	67	156	1.822	5
S41HM-LBP	108-42-108	312	96	79	64	156	1.886	5
S41JM-LBP	108-54-108	312	102	79	65	156	1.852	5
S41KM	108-76,1-108	312	125	79	70	156	2.014	5
S41LM	108-88,9-108	312	135	79	72	156	2.126	5

T-PIECE WITH FEMALE THREAD



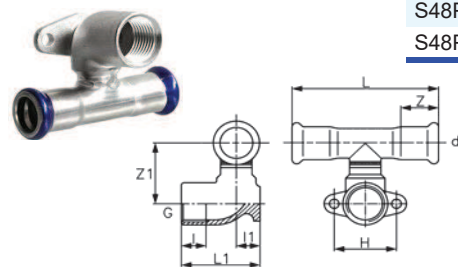
Part No.	d - Rp	L	L1	Z	Z1	I	weight gramm	min. lot
S42NB-LBP	12-Rp ³ / ₈ -12	<i>in progress</i>						
S42PC-LBP	15-Rp ¹ / ₂ -15	74	37	16	25	37	83	100
S42PD-LBP	18-Rp ¹ / ₂ -18	80	39	19	27	40	95	80
S42QD-LBP	18-Rp ³ / ₄ -18	80	43	19	30	40	118	50
S42PE-LBP	22-Rp ¹ / ₂ -22	82	41	18	29	41	117	100
S42QE-LBP	22-Rp ³ / ₄ -22	82	41	18	28	41	130	80
S42PF-LBP	28-Rp ¹ / ₂ -28	92	44	22	32	46	146	80
S42QF-LBP	28-Rp ³ / ₄ -28	92	45	22	32	46	160	50
S42RF-LBP	28-Rp1-28	92	48	22	32	46	174	30
S42PG-LBP	35-Rp ¹ / ₂ -35	102	48	24	36	51	176	50
S42QG-LBP	35-Rp ³ / ₄ -35	102	48	24	35	51	194	50
S42SG-LBP	35-Rp1 ¹ / ₄ -35	102	57	24	40	51	272	20
S42PH-LBP	42-Rp ¹ / ₂ -42	118	46	27	34	59	240	20
S42QH-LBP	42-Rp ³ / ₄ -42	118	52	27	39	59	254	20
S42TH-LBP	42-Rp1 ¹ / ₂ -42	118	59	27	42	59	384	20
S42PJ-LBP	54-Rp ¹ / ₂ -54	142	55	34	43	71	350	15
S42QJ-LBP	54-Rp ³ / ₄ -54	142	58	34	45	71	360	15
S42VJ-LBP	54-Rp2-54	142	69	34	47	71	548	15
S42QK	76,1-Rp ³ / ₄ -76,1	232	68	61	55	116	1.258	5
S42VK	76,1-Rp2-76,1	232	81	61	59	116	1.144	5
S42QL	88,9-Rp ³ / ₄ -88,9	262	87	68	74	131	1.254	5
S42VL	88,9-Rp2-88,9	262	88	68	66	131	1.438	5
S42QM	108-Rp ³ / ₄ -108	312	86	79	73	156	1.812	5
S42VM	108-Rp2-108	312	98	79	76	156	1.992	5

T-PIECE WITH MALE THREAD



Part No.	d - R	L	L1	Z	Z1	I	weight gramm	min. lot
S43PC-LBP	15-R ¹ / ₂ -15	74	38	16	15	37	86	100
S43PD-LBP	18-R ¹ / ₂ -18	80	40	19	15	40	94	100
S43QE-LBP	22-R ³ / ₄ -22	82	43	18	17	41	105	100
S43RF-LBP	28-R1-28	92	50	22	21	46	188	80
S43SG-LBP	35-R1 ¹ / ₄ -35	102	56	24	28	51	258	50

MISALIGNED T-PIECE



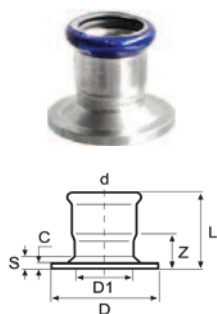
Part No.	d - G (ISO 228)	L	L1	Z	Z1	H	I	I1	weight gramm	min. lot
S48PC-LBP	15-G ¹ / ₂	74	43	21	31	34	12	13	130	100
S48PD-LBP	18-G ¹ / ₂	80	43	21	33	34	12	13	150	100

DOUBLE TAP CONNECTOR 90°/90° WITH FEMALE THREAD



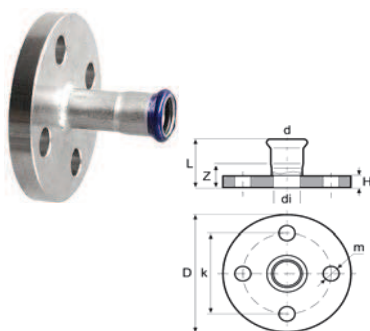
Part No.	d - Rp	L	L1	I	I1	Z	H	g	weight gramm	min. lot
S36PC-LBP	15-Rp ¹ / ₂	56	44	15	12	35	39	5	166	50

FLANGED JOINT



Part No.	d	L	D	D1	Z	C	S	weight gramm	min. lot
S55AC-LBP	15	38	34	14	17	4	10	57	20
S54AC-LBP	15	38	45	14	17	4	10	78	20
S55AD-LBP	18	38	39	17	17	4	10	69	20
S54AD-LBP	18	38	45	17	17	4	10	82	20
S55AE-LBP	22	39	39	21	16	4	9	70	20
S54AE-LBP	22	39	45	21	16	4	9	83	20
S54AF-LBP	28	42	45	27	18	4	9	89	20
S54AG-LBP	35	46	56	32	19	4	9	127	15
S54AH-LBP	42	50	62	39	18	4	9	154	15
S54AJ-LBP	54	56	78	51	19	4	10	229	15

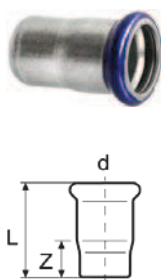
**FLANGE WITH PRESSING SOCKET
PN 16**



Part No.	d	D	di	L	H	m	k	Z	weight gramm	min. lot
S52AC-LBP	15	95	14	59	11	14	65	33	582	20
S52AD-LBP	18	95	17	57	11	14	65	39	616	20
S52AE-LBP	22	105	21	59	12	14	75	39	792	20
S52AF-LBP	28	115	27	65	14	14	85	47	1.122	20
S52AG-LBP	35	140	32	70	15	18	100	52	1.770	20
S52AH-LBP	42	150	39	77	16	18	110	59	2.090	15
S52AJ-LBP	54	165	51	86	18	18	125	75	2.838	15
S52AK	76,1	185	72	126	18	18	145	71	3.546	5
S52AL	88,9	200	85	147	20	18	160	84	4.344	5
S52AM	108	220	104	167	20	18	180	90	5.360	5

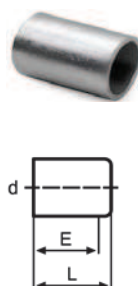
Diameters 88,9 and 108 (PN 10/16) are with 8 holes

CAP



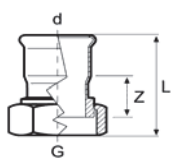
Part No.	d	L	Z	weight gramm	min. lot
S50AC-LBP	15	37	16	27	100
S50AD-LBP	18	40	19	33	50
S50AE-LBP	22	41	18	44	50
S50AF-LBP	28	46	22	63	50
S50AG-LBP	35	51	24	78	50
S50AH-LBP	42	59	27	116	20
S50AJ-LBP	54	72	35	176	20
S50AK	76,1	95	40	412	5
S50AL	88,9	107	44	544	5
S50AM	108	127	50	821	5

PLUG



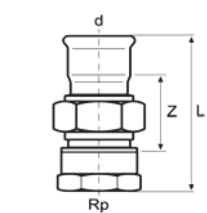
Part No.	d	E	L	weight gramm	min. lot
S51AC	15	33	42	16	100
S51AD	18	33	40	32	50
S51AE	22	34	43	30	50
S51AF	28	36	47	42	50
S51AG	35	40	49	70	50
S51AH	42	44	55	96	20
S51AJ	54	49	62	144	20
S51AK	76,1	65	75	328	5
S51AL	88,9	72	90	480	5
S51AM	108	87	103	648	5

ADAPTOR WITH UNION NUT IN BRASS/STAINLESS STEEL AND EPDM FLAT SEAL



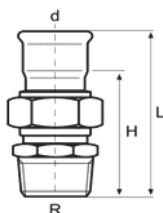
Part No.	G - d (ISO 228)	nut	L	Z	weight gramm	min. lot
S60PB-LBP	G $\frac{1}{2}$ -12	BRASS	<i>in progress</i>			
S60QC-LBP	G $\frac{3}{4}$ -15	BRASS	51	21	87	50
S60SC-LBP	G $1\frac{1}{4}$ -15	BRASS	53	21	175	15
S60QD-LBP	G $\frac{3}{4}$ -18	BRASS	52	22	85	50
S60RE-LBP	G1-22	BRASS	53	19	104	50
S60SF-LBP	G $1\frac{1}{4}$ -28	BRASS	54	20	159	50
S60TF-LBP	G $1\frac{1}{2}$ -28	BRASS	57	22	242	50
S60TG-LBP	G $1\frac{1}{2}$ -35	BRASS	64	26	267	20
S60UH-LBP	G $1\frac{3}{4}$ -42	BRASS	69	24	325	20
S60WJ-LBP	G $2\frac{3}{8}$ -54	BRASS	78	27	476	20
S61PB-LBP	G $\frac{1}{2}$ -12	ST. STEEL	<i>in progress</i>			
S61QC-LBP	G $\frac{3}{4}$ -15	ST. STEEL	51	21	81	50
S61SC-LBP	G $1\frac{1}{4}$ -15	ST. STEEL	53	21	164	15
S61QD-LBP	G $\frac{3}{4}$ -18	ST. STEEL	52	22	79	50
S61RE-LBP	G1-22	ST. STEEL	53	19	97	50
S61SF-LBP	G $1\frac{1}{4}$ -28	ST. STEEL	54	20	148	50
S61TF-LBP	G $1\frac{1}{2}$ -28	ST. STEEL	57	22	223	50
S61TG-LBP	G $1\frac{1}{2}$ -35	ST. STEEL	64	26	248	20
S61UH-LBP	G $1\frac{3}{4}$ -42	ST. STEEL	69	24	305	20
S61WJ-LBP	G $2\frac{3}{8}$ -54	ST. STEEL	78	27	446	20

ADAPTOR UNION WITH FEMALE THREAD, BRASS/STAINLESS STEEL NUT AND EPDM FLAT SEAL



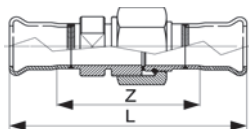
Part No.	d - Rp	nut	L	Z	weight gramm	min. lot
S62PC-LBP	15-Rp $\frac{1}{2}$	BRASS	73	40	145	15
S62QC-LBP	15-Rp $\frac{3}{4}$	BRASS	75	41	182	15
S62PD-LBP	18-Rp $\frac{1}{2}$	BRASS	72	39	145	15
S62QD-LBP	18-Rp $\frac{3}{4}$	BRASS	74	40	180	15
S62QE-LBP	22-Rp $\frac{3}{4}$	BRASS	76	40	212	15
S62RE-LBP	22-Rp1	BRASS	79	40	242	15
S62RF-LBP	28-Rp1	BRASS	83	43	398	15
S62SG-LBP	35-Rp $1\frac{1}{4}$	BRASS	93	49	470	15
S62TH-LBP	42-Rp $1\frac{1}{2}$	BRASS	96	47	516	15
S62VJ-LBP	54-Rp2	BRASS	113	54	948	15
S63PC-LBP	15-Rp $\frac{1}{2}$	ST. STEEL	73	40	142	15
S63QC-LBP	15-Rp $\frac{3}{4}$	ST. STEEL	75	41	182	15
S63PD-LBP	18-Rp $\frac{1}{2}$	ST. STEEL	72	39	126	15
S63QD-LBP	18-Rp $\frac{3}{4}$	ST. STEEL	74	40	162	15
S63QE-LBP	22-Rp $\frac{3}{4}$	ST. STEEL	76	40	186	15
S63RE-LBP	22-Rp1	ST. STEEL	79	40	216	15
S63RF-LBP	28-Rp1	ST. STEEL	83	43	356	15
S63SG-LBP	35-Rp $1\frac{1}{4}$	ST. STEEL	93	49	462	15
S63TH-LBP	42-Rp $1\frac{1}{2}$	ST. STEEL	96	47	484	15
S63VJ-LBP	54-Rp2	ST. STEEL	113	54	898	15

**ADAPTOR UNION WITH MALE
THREAD, BRASS/STAINLESS STEEL
NUT AND EPDM FLAT SEAL**



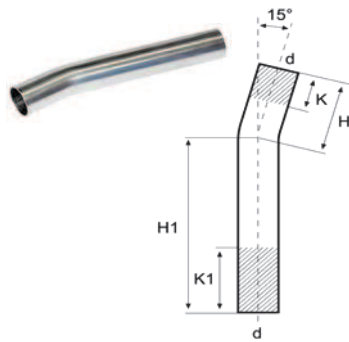
Part No.	d - R	nut	L	H	weight gramm	min. lot
S64PC-LBP	15-R $\frac{1}{2}$	BRASS	76	55		15
S64QC-LBP	15-R $\frac{3}{4}$	BRASS	80	59	150	15
S64PD-LBP	18-R $\frac{1}{2}$	BRASS	76	55	168	15
S64QD-LBP	18-R $\frac{3}{4}$	BRASS	79	58	148	15
S64PE-LBP	22-R $\frac{1}{2}$	BRASS	80	57	167	15
S64QE-LBP	22-R $\frac{3}{4}$	BRASS	82	59	239	15
S64RE-LBP	22-R1	BRASS	86	63	222	15
S64RF-LBP	28-R1	BRASS	88	64	256	15
S64SG-LBP	35-R1 $\frac{1}{4}$	BRASS	100	73	366	15
S64TH-LBP	42-R1 $\frac{1}{2}$	BRASS	106	74	544	15
S64VJ-LBP	54-R2	BRASS	122	85	578	15
					988	
S65PC-LBP	15-R $\frac{1}{2}$	ST. STEEL	76	55		15
S65QC-LBP	15-R $\frac{3}{4}$	ST. STEEL	80	59	148	15
S65PD-LBP	18-R $\frac{1}{2}$	ST. STEEL	76	55	168	15
S65QD-LBP	18-R $\frac{3}{4}$	ST. STEEL	79	58	128	15
S65PE-LBP	22-R $\frac{1}{2}$	ST. STEEL	80	57	148	15
S65QE-LBP	22-R $\frac{3}{4}$	ST. STEEL	82	59	218	15
S65RE-LBP	22-R1	ST. STEEL	86	63	194	15
S65RF-LBP	28-R1	ST. STEEL	88	64	232	15
S65SG-LBP	35-R1 $\frac{1}{4}$	ST. STEEL	100	73	350	15
S65TH-LBP	42-R1 $\frac{1}{2}$	ST. STEEL	106	74	482	15
S65VJ-LBP	54-R2	ST. STEEL	122	85	588	15
					936	

**STRAIGHT UNION WITH PRESS
FITTINGS ON BOTH ENDS, SWIVEL
NUT IN BRASS/STAINLESS STEEL
AND EPDM FLAT SEAL**



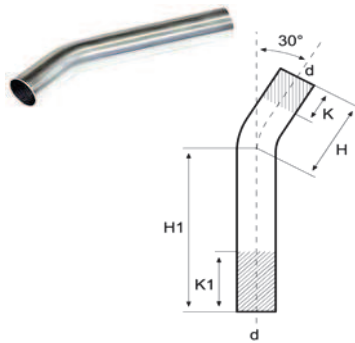
Part No.	G - d (ISO 228)	nut	L	Z	weight gramm	min. lot
S66QC-LBP	G $\frac{3}{4}$ -15	BRASS	97	55	174	15
S66QD-LBP	G $\frac{3}{4}$ -18	BRASS	97	55	152	15
S66RE-LBP	G1-22	BRASS	105	59	212	15
S66SF-LBP	G1 $\frac{1}{4}$ -28	BRASS	111	63	358	15
S66TG-LBP	G1 $\frac{1}{2}$ -35	BRASS	124	70	532	15
S66UH-LBP	G1 $\frac{3}{4}$ -42	BRASS	134	70	606	15
S66WJ-LBP	G2 $\frac{1}{2}$ -54	BRASS	144	70	948	15
S68QC-LBP	G $\frac{3}{4}$ -15	ST. STEEL	97	55	172	15
S68QD-LBP	G $\frac{3}{4}$ -18	ST. STEEL	97	55	146	15
S68RE-LBP	G1-22	ST. STEEL	105	59	214	15
S68SF-LBP	G1 $\frac{1}{4}$ -28	ST. STEEL	111	63	340	15
S68TG-LBP	G1 $\frac{1}{2}$ -35	ST. STEEL	124	70	524	15
S68UH-LBP	G1 $\frac{3}{4}$ -42	ST. STEEL	134	70	574	15
S68WJ-LBP	G2 $\frac{1}{2}$ -54	ST. STEEL	144	70	898	15

BEND 15° WITH PLAIN ENDS



Part No.	d	H1	H	K	K1	weight gramm	min. lot
S75AB	12	<i>in progress</i>					
S75AC	15	122	60	21	83	76	30
S75AD	18	128	55	15	88	93	30
S75AE	22	124	50	7	81	110	30
S75AF	28	136	45	7	47	146	20
S75AG	35	234	62	30	110	378	15
S75AH	42	276	94	44	144	542	10
S75AJ	54	337	117	65	165	884	10
S75AK	76,1	230	226	65	65	1.580	5
S75AL	88,9	260	240	80	80	1.954	5
S75AM	108	291	222	95	95	2.546	5

BEND 30° WITH PLAIN ENDS



Part No.	d	H1	H	K	K1	weight gramm	min. lot
S74AB	12	<i>in progress</i>					
S74AC	15	122	60	21	83	76	30
S74AD	18	128	55	16	89	93	30
S74AE	22	124	50	6	80	110	30
S74AF	28	130	54	7	47	258	20
S74AG	35	218	80	30	110	382	15
S74AH	42	274	98	44	144	558	10
S74AJ	54	324	137	65	165	912	10
S74AK	76,1	200	202	66	66	1.350	5
S74AL	88,9	262	264	80	80	2.110	5
S74AM	108	259	272	95	95	2.622	5

BEND 45° WITH PLAIN ENDS



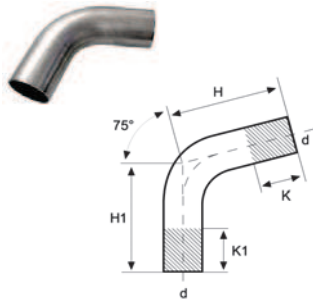
Part No.	d	H1	H	K	K1	weight gramm	min. lot
S73AB	12	<i>in progress</i>					
S73AC	15	120	62	19	77	76	30
S73AD	18	124	58	16	82	93	30
S73AE	22	120	56	7	71	111	30
S73AF	28	122	58	2	66	146	20
S73AG	35	206	94	20	132	380	15
S73AH	42	262	114	1	149	576	10
S73AJ	54	321	146	37	212	928	10
S73AK	76,1	225	225	69	69	1.618	5
S73AL	88,9	267	267	103	103	2.078	5
S73AM	108	293	293	66	66	2.901	5

BEND 60° WITH PLAIN ENDS



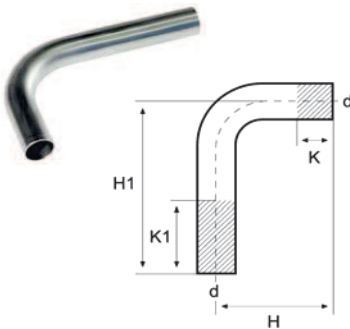
Part No.	d	H1	H	K	K1	weight gramm	min. lot
S72AB	12	<i>in progress</i>					
S72AC	15	122	60	21	83	76	30
S72AD	18	122	62	16	76	94	30
S72AE	22	118	60	5	63	112	30
S72AF	28	116	71	7	47	178	20
S72AG	35	226	101	30	110	406	15
S72AH	42	251	124	44	145	562	10
S72AJ	54	308	162	65	165	884	10
S72AK	76,1	219	223	70	70	1.476	5
S72AL	88,9	250	257	80	80	1.970	5
S72AM	108	288	298	95	95	2.780	5

BEND 75° WITH PLAIN ENDS



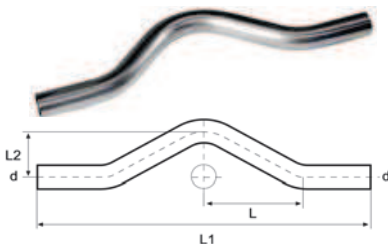
Part No.	d	H1	H	K	K1	weight gramm	min. lot
S71AB	12	<i>in progress</i>					
S71AC	15	117	66	22	73	77	30
S71AD	18	120	65	17	72	94	30
S71AE	22	118	64	9	63	114	30
S71AF	28	114	71	7	50	150	20
S71AG	35	200	110	26	119	393	15
S71AH	42	251	137	44	158	595	10
S71AJ	54	305	178	60	187	960	10
S71AK	76,1	240	240	62	62	1.556	5
S71AL	88,9	280	280	90	90	2.130	5
S71AM	108	345	345	60	60	3.416	5

BEND 90° WITH PLAIN ENDS



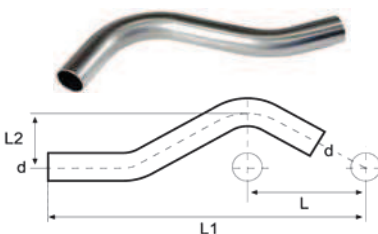
Part No.	d	H1	H	K	K1	weight gramm	min. lot
S70AB	12	<i>in progress</i>					
S70AC	15	120	70	22	72	54	40
S70AD	18	120	70	17	67	72	40
S70AE	22	120	70	9	59	102	20
S70AF	28	125	97	7	47	153	20
S70AG	35	200	120	30	110	360	10
S70AH	42	250	160	44	144	565	10
S70AJ	54	305	200	65	165	868	10
S70AK	76,1	250	250	62	62	1.668	5
S70AL	88,9	291	291	90	90	2.022	5
S70AM	108	364	364	45	45	3.200	5

PIPE BRIDGE



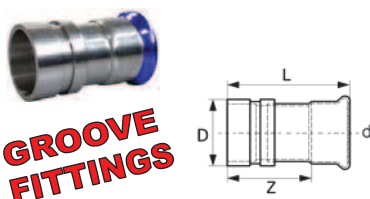
Part No.	d	L1	L2	L	weight gramm	min. lot
S76AB	12	<i>in progress</i>				
S76AC	15	202	38	65	74	15
S76AD	18	236	43	68	104	15
S76AE	22	233	40	68	158	10
S76AF	28	303	64	93	258	10

PIPE BRIDGE SHORT



Part No.	d	L1	L2	L	weight gramm	min. lot
S77AB	12	<i>in progress</i>				
S77AC	15	145	37	57	54	10
S77AD	18	165	38	56	72	10
S77AE	22	181	40	60	150	10
S77AF	28	241	55	83	215	10

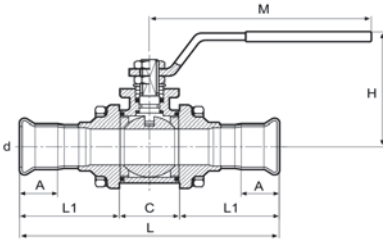
TRANSITION JOINT FOR GROOVED FITTINGS



GROOVE FITTINGS

Part No.	d - D	L	Z	weight gramm	min. lot
S96EF-LBP	28x33,7				
S96SG-LBP	35x42,4				
S96TH-LBP	42x48,3	<i>in progress</i>			
S96VJ-LBP	54x60,3				
S96KK	76,1x76,1	Connection joint between			
S96LL	88,9x88,9	grooved fitting-system and pressfittings			
S96ZM	108x114,4				

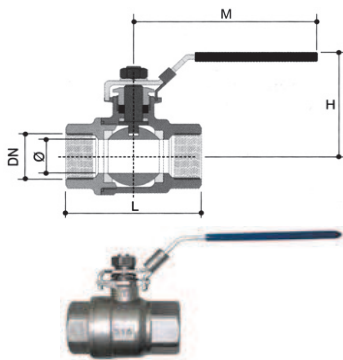
FULL FLOW BALL VALVE IN STAINLESS STEEL



* Please contact our Sales Office for the offer

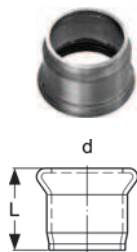
Part No.	d	L	L1	C	A	M	H	weight gramm	min. lot
S58AC-LBP	15	118	48	22	20	105	57	454	15
S58AD-LBP	18	119,4	48	23,4	21	110	62	514	15
S58AE-LBP	22	133	51	31	21	110	67	860	15
S58AF-LBP	28	147,9	55	37,9	24	130	85	1.054	15
S58AG-LBP	35	177	65	47	27	130	85	1.922	10
S58AH-LBP	42	205	74	57	32	160	100	2.584	10
S58AJ-LBP	54	228	80	68	38	160	110	3.500	10
S58AK	76,1	316	115	86	55	235	130	9.180	5
S58AL	88,9	346	124	98	64	245	140	12.980	5
S58AM	108	432	153	126	78	330	170	20.240	5

TWO-PIECE THREADED VALVE



Part No.	DN	L	H	M	weight gramm	min. lot
S59AN	3/8"	49	48	100	534	15
S59AP	1/2"	55,0	52,0	100	542	15
S59AQ	3/4"	66	57	115	775	15
S59AR	1"	78,5	75,0	150	1.160	15
S59AS	1"1/4	90	80	150	1.780	10
S59AT	1"1/2	99	95	180	2.900	10
S59AV	2"	120	96	180	4.480	10
S59AX	2"1/2	147	125	245	7.350	5
S59AY	3"	172	135	245	12.500	5
S59AZ	4"	220	160	278	22.750	5

WELDING JOINT

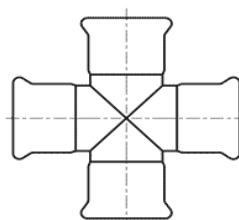


Correct conditions of use have to be requested from our technical department

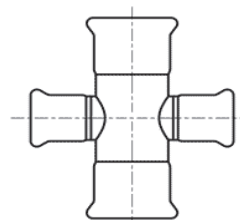
Part No.	d	L	weight gramm	min. lot
S17AB-LBP	12	<i>in progress</i>		
S17AC-LBP	15	25	17	200
S17AD-LBP	18	25	22	200
S17AE-LBP	22	27	30	200
S17AF-LBP	28	30	37	150
S17AG-LBP	35	34	51	150
S17AH-LBP	42	38	67	100
S17AJ-LBP	54	44	100	100
S17AK	76	68	290	50
S17AL	89	78	390	50
S17AM	108	94	595	50

CROSS

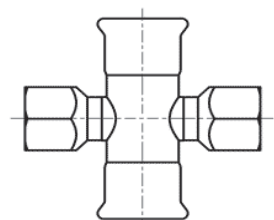
Special items made on request, particularly indicated for sprinkler systems.



four-way cross



two reduced way cross



two threaded way cross