

**TECEplanus urinal electronics, 6 V battery**

Article number: 9242354

Colour: Silky matte white

Exhibition samples: Yes

DU 1: 1 pc.

DU 2: 10 pc.

Description:

Fine assembly set for contactless infrared flush device, suitable for TECE urinal flush valve housing U 1; usable from 0.5 bar minimum flow pressure; flush time, water-saving pause function, cleaning mode, pre-flush and hygiene flush can be set.

Consisting of:

- Magnetic valve with dirt filter
- Battery 6 V (2CR5)
- Screw-down metal cover with sensor field
- Attachment hardware
- Programming key

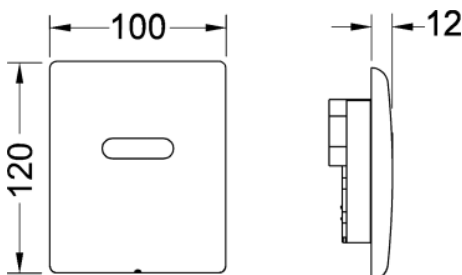
Dimensions (W x H x D): 100 x 120 x 12 mm

Sales data:

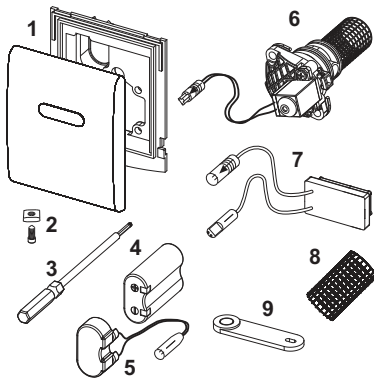
Product name: TECEplanus urinal electronics, 6 V battery, silky matte white

Commodity group: 904

Product group: 2009040030

Dimensional drawings:

Spare parts:



| | | |
|---|---------|--|
| 1 | 9820098 | Cover plate, silky matte white |
| 2 | 9820097 | Fastening screw |
| 3 | 9820091 | Hollow hexagon wrench |
| 4 | 9820092 | 6 V battery 2CR5 |
| 5 | 9820093 | Battery connection adapter |
| 6 | 9820089 | Urinal cartridge electronic for flushing valve U 1 |
| 7 | 9820087 | Infra-red sensor 6 V battery |
| 8 | 9820090 | Grate bar |
| 9 | 9820080 | Programming key |