



Atlas Atlas ECM

Unit Heater

TECHNICAL LEAFLET

Atlas

Unit Heater



The **Atlas Sabiana** unit heaters have a big "heart": a coil, which has been developed, studied and constructed expressly for heating industrial environments. The increased thickness of the tubes (1 mm steel tube, 0,7 mm copper tube), their large diameter (\varnothing 22 mm) and the excellent ratio between the air flow and the output guarantee a long life and a high environmental comfort. The Atlas unit heaters are produced in 10 sizes from 5 to 120 kW and are available with a 1-row coil for steam and high temperature hot water installations, a 2-row coil for hot water installations and a 3-row coil for low temperature hot water installations.

The coil of Sabiana Atlas unit heaters with steel tubes \varnothing 22 mm and aluminium fins has the following advantages compared with the copper-aluminium small diameter tube coils: the material used for the steel tube, which is very thick (1 mm instead of 0,3 - 0,4 mm), makes the Sabiana coil extremely sturdy and long lasting. The tube's large diameter reduces the water pressure drop: this means that reduced power pumps are installed and a very rapid heating capacity is provided. The Sabiana coil for unit heaters uses a reduced number of tubes to give the same yield: this determines a low resistance to the air flow and consequently an optimum leaving air temperature and a very high throw. The greater spacing between the fins as well as their thickness facilitate cleaning and maintenance operations, which is essential to keep the unit heater efficient.

The steel tube coil is the ideal choice for plants where all tubes and equipment are made of steel because it avoids physical and chemical unbalance due to the interaction of different metals. The special painting coat makes the coil long lasting and increases the thermal output.

The Sabiana coil can be used with hot water, high temperature hot water or steam, even with a high working pressure. As a matter of fact each coil is submitted to two tests at 30 bars. However Sabiana, in order to meet any design and installation need, can offer a complete set of unit heaters with copper tubes and aluminium fins.

This coil has the same features (tube diameter, fin pitch, etc.) of the steel coil but it is built with copper tube 0,7 mm thick, of higher quality and with a total weight which is double compared with the coils normally used for unit heaters. The wide range of products includes 10 different sizes with 1, 2 or 3 rows each.

Upon request, sizes 1 to 6 are available with **the innovative electronic motors** with extremely low energy consumption, controlled by an inverter board and identified by ECM.

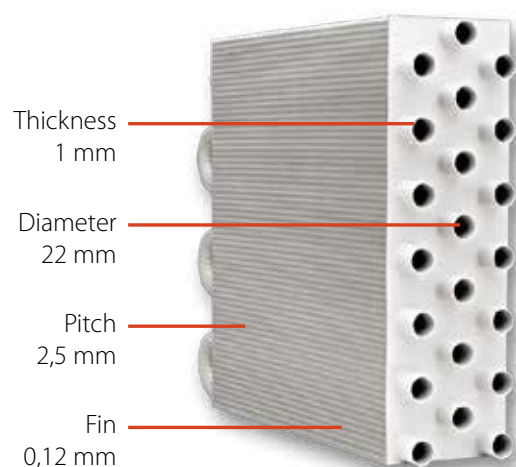
The ECM motors allow to decrease electric consumption compared to traditional asynchronous motors and they enable to adjust the air flow continuously and control the ambient temperature with precision, with further benefits in terms of very low noise levels.



- The **main casing** is manufactured from **galvanized prepainted steel** finished in a light grey colour (RAL 9002) and is assembled from three component parts.
- The **coil** is manufactured from the **highest quality steel or copper tube**. The fins are pressed from aluminium sheet, bonded onto the tubes facilitating the maximum transfer contact available.
- The **fan and motor assembly** is made up of three components: the fan, the motor and the safety guard, which also acts as the main support. The standard motor fitted is a hermetically sealed motor which is maintenance free. The motors are supplied as standard for a three phase 230/400V 50Hz supply, and they are available, according to the size, with 4/6 or 6/8 pole two speed (protection IP55) and with 4 or 6 pole one speed (protection IP44).

A **wide range** of air boxes and accessories is **available**.

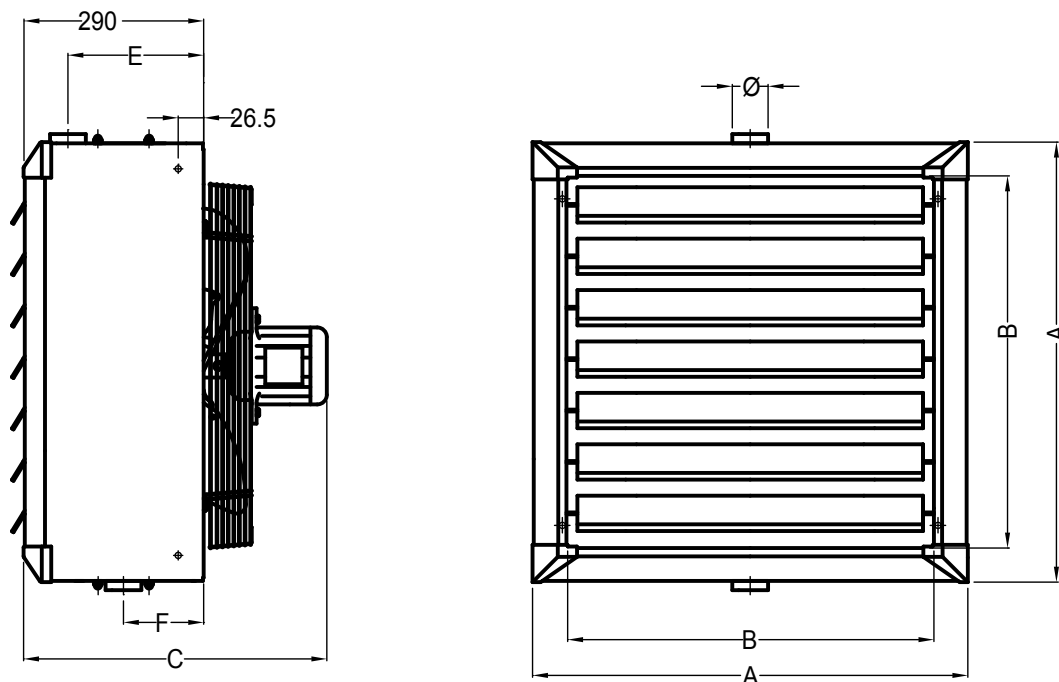
On request: special voltages and special air boxes.



Atlas identification code

Reference: **46A42 SX**

46	A	4	2	SX	SP
Motor 4/6 Pole (1350/1000 r.p.m.)	Range Atlas	Size 4	Rows 2	Coil steel tube	Coil copper tube



Size	A	B	C (C-ATEX)	D	E	F	ø
1	472	336	465 (595)	375	220	130	1 ¼"
2	526	390	465 (595)	429	220	130	1 ¼"
3	580	444	465 (595)	483	220	130	1 ¼"
4	634	498	488 (618)	537	220	130	1 ¼"
5	688	552	488 (618)	591	220	130	1 ¼"
6	742	606	513 (643)	645	220	130	1 ¼"
7	793	657	560 (740)	696	210	140	1 ½"
8	900	764	575 (755)	803	210	140	1 ½"
9	1010	874	595 (775)	913	210	140	1 ½"
10	1117	980	640 (820)	1020	210	140	2"

Size	Weight kg (ATEX)			Water content liters		
	1R	2R	3R	1R	2R	3R
1	19 (32)	22 (35)	24 (37)	1,3	2,6	3,9
2	22 (35)	25 (37)	27 (40)	1,6	3,2	4,8
3	26 (38)	30 (42)	33 (45)	1,9	3,8	5,7
4	30 (42)	34 (46)	38 (50)	2,3	4,6	6,9
5	33 (47)	40 (54)	44 (58)	3,0	6,0	9,0
6	38 (52)	46 (60)	51 (65)	3,5	7,0	10,5
7	46 (63)	55 (72)	61 (78)	4,3	8,2	12,3
8	55 (71)	66 (82)	73 (89)	5,8	11,1	16,6
9	65 (86)	79 (100)	88 (109)	7,6	14,5	21,8
10	79 (98)	95 (114)	106 (125)	9,6	18,2	27,3

4/6 pole models

Water temperature 85-75°C

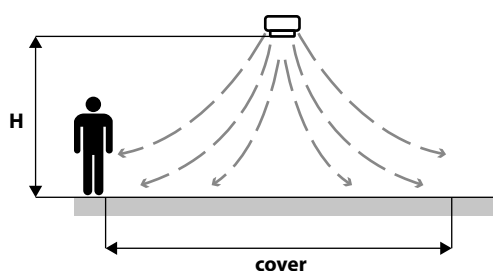
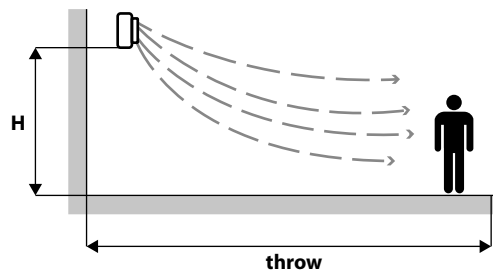
Drop 10°C - Δtm 65°C - Entering air temperature 15°C

Size	Model	Motor speed r.p.m.		Air flow m ³ /h		Noise level at 5 m * dB(A)		Emission kW		Leaving air temp. °C	
		Poles									
		4	6	4	6	4	6	4	6	4	6
1	46A11	1350	1000	1415	1055	56	50	–	–	–	–
	46A12	1350	1000	1340	990	56	50	10,24	8,79	37,4	41,0
	46A13	1350	1000	1195	885	56	50	11,39	9,62	42,9	46,8
2	46A21	1350	1000	2190	1680	59	53	–	–	–	–
	46A22	1350	1000	2010	1570	59	53	13,95	12,36	35,3	38,0
	46A23	1350	1000	1875	1420	59	53	17,52	15,07	42,4	46,0
3	46A31	1350	1000	3325	2510	61	55	–	–	–	–
	46A32	1350	1000	2915	2255	61	55	20,85	18,44	35,9	38,9
	46A33	1350	1000	2610	2040	61	55	25,68	22,41	43,8	47,1
4	46A41	1350	1000	4415	3305	64	57	–	–	–	–
	46A42	1350	1000	3725	2745	64	57	27,86	24,06	36,9	40,6
	46A43	1350	1000	3210	2390	64	57	32,03	27,14	44,2	48,2
5	46A51	1350	1000	5770	4250	66	59	–	–	–	–
	46A52	1350	1000	4800	3500	66	59	34,89	29,94	36,3	40,0
	46A53	1350	1000	4325	3110	66	59	43,06	35,90	44,1	48,8
6	46A61	1350	1000	6590	5065	69	62	–	–	–	–
	46A62	1350	1000	5515	4160	69	62	41,76	36,36	37,2	40,6
	46A63	1350	1000	4900	3620	69	62	50,96	42,98	45,4	49,7

* The sound pressure levels dB(A) are measured at a distance of 5 m, directional factor Q = 2, compliant with the EN 3744 standard.

Size	Poles	Mounting heights			
		horizontal discharge		vertical discharge	
		height m	throw m	height max m	cover m ²
1	4	2,5÷3,5	7,5	3,5	50
	6	2,5÷3	5	3	36
2	4	3÷4	10	4	60
	6	2,5÷3,5	7	3,5	45
3	4	3÷4	13,5	5	70
	6	2,5÷3,5	10	4	50
4	4	3,5÷4,5	16	5,5	75
	6	3÷4	12	4,5	55
5	4	4÷5	18	6	90
	6	3,5÷4,5	13	5	70
6	4	4÷5,5	22	7	120
	6	4÷5	16	6	100

Mounting heights



6/8 pole models

Water temperature 85-75°C

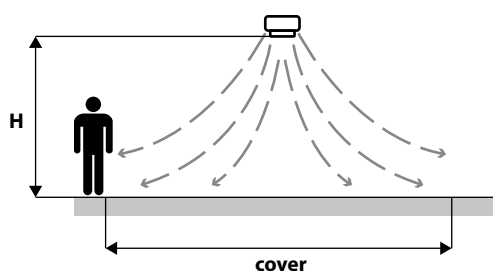
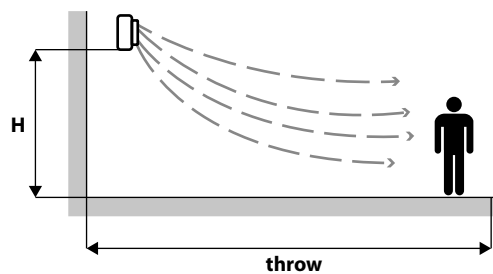
Drop 10°C - Δtm 65°C - Entering air temperature 15°C

Size	Model	Motor speed r.p.m.		Air flow m ³ /h		Noise level at 5 m * dB(A)		Emission kW		Leaving air temp. °C	
		Poles									
		6	8	6	8	6	8	6	8	6	8
1	68A11	900	750	970	860	48	44	–	–	–	–
	68A12	900	750	935	830	48	44	8,54	8,01	41,7	43,2
	68A13	900	750	835	740	48	44	9,29	8,65	47,5	49,2
2	68A21	900	750	1495	1170	50	46	–	–	–	–
	68A22	900	750	1410	1100	50	46	11,70	10,26	39,3	42,3
	68A23	900	750	1290	1025	50	46	14,23	12,41	47,3	50,4
3	68A31	900	750	2100	1620	52	48	–	–	–	–
	68A32	900	750	1880	1470	52	48	16,83	14,74	41,2	44,3
	68A33	900	750	1735	1320	52	48	20,39	17,28	49,4	53,3
4	68A41	900	750	2795	2195	54	50	–	–	–	–
	68A42	900	750	2345	1755	54	50	22,14	18,91	42,6	46,5
	68A43	900	750	2010	1535	54	50	24,47	20,70	50,6	54,4
5	68A51	900	750	3685	2865	56	51	–	–	–	–
	68A52	900	750	3050	2335	56	51	27,87	24,17	41,7	45,3
	68A53	900	750	2785	2100	56	51	33,58	27,27	50,3	54,4
6	68A61	900	750	4445	3550	59	54	–	–	–	–
	68A62	900	750	3710	2960	59	54	34,33	30,37	42,1	45,0
	68A63	900	750	3270	2610	59	54	40,43	35,19	51,2	54,4
7	68A71	900	750	5100	3960	65	59	–	–	–	–
	68A72	900	750	4800	3650	65	59	44,20	38,13	41,9	45,6
	68A73	900	750	4600	3500	65	59	52,35	44,50	48,3	52,2
8	68A81	900	750	7650	5400	67	61	–	–	–	–
	68A82	900	750	6900	4950	67	61	57,57	48,47	39,4	43,6
	68A83	900	750	6300	4500	67	61	70,23	57,52	47,6	52,4
9	68A91	900	750	10600	7600	68	62	–	–	–	–
	68A92	900	750	10200	7200	68	62	82,12	68,82	38,6	43,0
	68A93	900	750	9400	6400	68	62	101,49	81,06	46,6	52,1
10	68A101	900	750	12250	9215	71	65	–	–	–	–
	68A102	900	750	11800	8800	71	65	101,20	86,99	40,1	43,9
	68A103	900	750	11000	7950	71	65	124,93	102,93	48,2	52,9

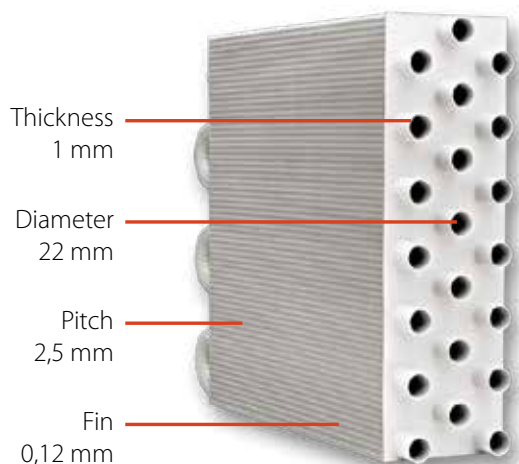
* The sound pressure levels dB(A) are measured at a distance of 5m, directional factor Q = 2, compliant with the EN 3744 standard.

Size	Poles	Mounting heights			
		horizontal discharge		vertical discharge	
		height m	throw m	height max m	cover m ²
1	6	2,5÷3	5	3	36
	8	2,5÷3	4,5	–	–
2	6	2,5÷3,5	7	3,5	45
	8	2,5÷3,5	5,5	–	–
3	6	2,5÷3,5	10	4	50
	8	2,5÷3,5	7	–	–
4	6	3÷4	12	4,5	55
	8	3÷4	8	–	–
5	6	3,5÷4,5	13	5	70
	8	3,5÷4,5	9,5	–	–
6	6	4÷5	16	6	100
	8	4÷5	12	–	–
7	6	4÷5	24	7	120
	8	3,5÷4	18	6	100
8	6	4÷5,5	26	9	160
	8	3,5÷4,5	20	7	130
9	6	4÷6	28	11	200
	8	3,5÷5	21	8	150
10	6	4÷6	30	12	220
	8	4÷5	22	9	160

Mounting heights

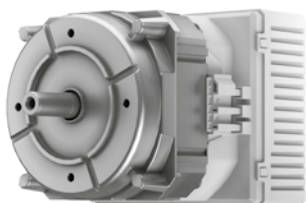


Unit Heater with EC Brushless Electronic Motor and Inverter Board



Sabiana Atlas series is available, for the first 6 sizes, in version with electronic motor and inverter board.

For the technical characteristics of the various components refer to Atlas Unit Heater, excluding the Electronic motor and the Helicoidal fan.



Electronic motor

Single phase permanent magnet brushless electronic motor, IP 44 protection and class B insulation. It is controlled with reconstructed current according to a sinusoidal wave.

The inverter board that controls the motor operation is powered by 230 Volt, single-phase and, with a switching system, it generates a three-phase frequency modulated, wave form power supply. The electric power supply required for the machine is therefore single-phase with voltage of 200 - 240 V and frequency of 50 - 60 Hz.



Helicoidal fan

The fan is made with statically and dynamically balanced plastic. Its rational high-capacity profile provides the maximum air volume with the minimum energy consumption. The finger proof guard is painted with electroplating treatment, that ensures more protection against corrosion. The air flow is uniformly distributed through the whole coil and consequently the unit is very quiet.

Heating mode

Entering air temperature: 15 °C

Model	Inverter power	AT-ECM 11						AT-ECM 12						AT-ECM 13					
		1	2	4	6	8	10	1	2	4	6	8	10	1	2	4	6	8	10
Speed	rpm	513	609	820	1017	1224	1301	513	609	820	1017	1224	1301	513	609	820	1017	1224	1301
Air flow	m ³ /h	477	588	830	1057	1296	1385	440	540	765	975	1195	1275	418	516	728	927	1137	1215
WT=85/75°C Heating emission	kW	3,61	4,00	4,70	5,25	5,73	5,89	5,32	6,03	7,35	8,36	9,27	9,56	6,22	7,15	8,94	10,35	11,62	12,04
WT=85/75°C Leaving air temperature	°C	37	35	32	29	28	27	50	48	43	40	38	37	58	56	51	48	45	44
WT=85/70°C Heating emission	kW	3,12	3,45	4,04	4,50	4,89	5,03	4,65	5,25	6,36	7,22	7,97	8,22	5,50	6,28	7,80	8,98	10,04	10,39
WT=85/70°C Leaving air temperature	°C	34	32	29	27	26	26	46	43	39	37	35	34	53	51	46	43	41	40
WT=80/60°C Heating emission	kW	2,30	2,54	2,94	3,25	3,53	3,62	3,49	3,91	4,70	5,29	5,82	5,99	4,18	4,75	5,83	6,66	7,42	7,65
WT=80/60°C Leaving air temperature	°C	29	28	25	24	23	23	38	36	33	31	29	29	44	42	38	36	34	33
Motor power input	W	10,7	14,3	27,1	46,4	77,0	90,4	10,7	14,3	27,1	46,4	77,0	90,4	10,7	14,3	27,1	46,4	77,0	90,4
Sound power (Lw)	dB(A)	47,0	51,0	59,0	64,0	68,0	70,0	47,0	51,0	59,0	64,0	68,0	70,0	47,0	51,0	59,0	64,0	68,0	70,0
Sound pressure (Lp) ⁽¹⁾	dB(A)	25,0	29,0	37,0	42,0	46,0	48,0	25,0	29,0	37,0	42,0	46,0	48,0	25,0	29,0	37,0	42,0	46,0	48,0
Concealed installation: Height	m	2,5 ÷ 3,5																	
Concealed installation: Throw	m	4	4,5	5	5,5	6	6,5	4	4,5	5	5,5	6	6,5	4	4,5	4,5	5	5,5	6
Ceiling installation: Height	m	-	-	-	2,5	3	3,5	-	-	-	2,5	3	3	-	-	-	2,6	3	3
Ceiling installation: Influence area	m ²	-	-	-	35	40	40	-	-	-	35	40	40	-	-	-	35	40	40

(1) The sound pressure levels dB(A) are measured at a distance of 5m, directional factor Q = 2, compliant with the EN 3744 standard
 WT Water temperature

Entering air temperature: 15 °C

Model	Inverter power	AT-ECM 21						AT-ECM 22						AT-ECM 23					
		1	2	4	6	8	10	1	2	4	6	8	10	1	2	4	6	8	10
Speed	rpm	518	617	812	1012	1225	1301	518	617	812	1012	1225	1301	518	617	812	1012	1225	1301
Air flow	m ³ /h	767	936	1274	1620	1989	2121	705	860	1175	1490	1830	1955	672	821	1117	1421	1745	1861
WT=85/75°C Heating emission	kW	5,58	6,14	7,11	7,91	8,65	8,87	8,34	9,39	11,18	12,67	14,03	14,48	9,82	11,23	13,66	14,31	15,56	18,31
WT=85/75°C Leaving air temperature	°C	36	34	31	29	28	27	50	47	43	40	37	37	58	55	51	50	48	44
WT=85/70°C Heating emission	kW	4,95	5,43	6,26	6,97	7,58	7,78	7,45	8,36	9,91	11,19	12,36	12,75	8,83	10,06	12,20	12,73	13,84	16,22
WT=85/70°C Leaving air temperature	°C	34	32	29	28	26	26	46	43	40	37	35	34	54	51	47	46	44	40
WT=80/60°C Heating emission	kW	3,81	4,16	4,77	5,29	5,74	5,89	5,80	6,48	7,62	8,57	9,45	9,74	6,95	7,88	9,48	9,88	10,68	12,44
WT=80/60°C Leaving air temperature	°C	29	28	26	25	23	23	39	37	34	32	30	30	45	43	40	39	37	35
Motor power input	W	15,2	21,7	42,9	77,0	132,8	158,1	15,2	21,7	42,9	77,0	132,8	158,1	15,2	21,7	42,9	77,0	132,8	158,1
Sound power (Lw)	dB(A)	48,5	53,0	61,0	66,5	70,5	72,5	48,5	53,0	61,0	66,5	70,5	72,5	48,5	53,0	61,0	66,5	70,5	72,5
Sound pressure (Lp) ⁽¹⁾	dB(A)	26,5	31,0	39,0	44,5	48,5	50,5	26,5	31,0	39,0	44,5	48,5	50,5	26,5	31,0	39,0	44,5	48,5	50,5
Concealed installation: Height	m	2,5 ÷ 3,5																	
Concealed installation: Throw	m	5	5,5	6	6,5	7	8	4,5	5	5,5	5,7	7	7,5	4,5	5	5,5	6	6,5	7
Ceiling installation: Height	m	-	-	-	3	3,5	4	-	-	-	3	3,5	3,5	-	-	-	3	3	3,5
Ceiling installation: Influence area	m ²	-	-	-	45	45	50	-	-	-	45	45	45	-	-	-	40	40	40

(1) The sound pressure levels dB(A) are measured at a distance of 5m, directional factor Q = 2, compliant with the EN 3744 standard
 WT Water temperature

Heating mode

Entering air temperature: 15 °C

Model		AT-ECM 31						AT-ECM 32						AT-ECM 33					
Inverter power		1	2	4	6	8	10	1	2	4	6	8	10	1	2	4	6	8	10
Speed	rpm	502	606	818	1016	1212	1300	502	606	818	1016	1212	1300	502	606	818	1016	1212	1300
Air flow	m ³ /h	1025	1287	1819	2317	2810	3032	935	1175	1665	2120	2570	2775	876	1100	1555	1980	2402	2592
WT=85/75°C Heating emission	kW	7,62	8,53	10,04	11,17	12,12	12,50	11,32	12,99	15,76	17,89	19,64	20,40	13,17	15,35	19,11	22,03	24,51	25,59
WT=85/75°C Leaving air temperature	°C	37	34	31	29	28	27	50	47	43	40	37	36	59	56	51	48	45	44
WT=85/70°C Heating emission	kW	6,86	7,66	9,00	9,98	10,84	11,15	10,27	11,75	14,20	16,08	17,66	18,29	11,98	13,93	17,30	19,90	22,10	23,04
WT=85/70°C Leaving air temperature	°C	35	32	29	28	26	26	47	44	40	37	35	34	55	52	48	44	42	41
WT=80/60°C Heating emission	kW	5,43	6,05	7,07	7,81	8,46	8,71	8,20	9,33	11,24	12,67	13,89	14,36	9,66	11,20	13,77	15,77	17,50	18,19
WT=80/60°C Leaving air temperature	°C	30	29	26	25	24	23	41	38	35	32	31	30	47	45	41	38	36	36
Motor power input	W	19,1	30,0	67,4	124,8	207,2	253,7	19,1	30,0	67,4	124,8	207,2	253,7	19,1	30,0	67,4	124,8	207,2	253,7
Sound power (Lw)	dB(A)	51,5	55,5	63,5	69,0	73,0	75,5	51,5	55,5	63,5	69,0	73,0	75,5	51,5	55,5	63,5	69,0	73,0	75,5
Sound pressure (Lp) ⁽¹⁾	dB(A)	29,5	33,5	41,5	47,0	51,0	53,5	29,5	33,5	41,5	47,0	51,0	53,5	29,5	33,5	41,5	47,0	51,0	53,5
Concealed installation: Height	m	2,5 ÷ 3,5																	
Concealed installation: Throw	m	6,5	7,5	8,5	10	11	12	6,5	7	8	9	10	10,5	6	7	8	8,5	9,5	10
Ceiling installation: Height	m	-	-	3,5	4	4	4,5	-	-	3,5	3,5	4	4	-	-	-	3,5	3,5	4
Ceiling installation: Influence area	m ²	-	-	50	55	60	60	-	-	50	50	55	60	-	-	-	50	50	55

(1) The sound pressure levels dB(A) are measured at a distance of 5m, directional factor Q = 2, compliant with the EN 3744 standard
WT Water temperature

Entering air temperature: 15 °C

Model		AT-ECM 41						AT-ECM 42						AT-ECM 43					
Inverter power		1	2	4	6	8	10	1	2	4	6	8	10	1	2	4	6	8	10
Speed	rpm	518	613	810	1019	1218	1299	518	613	810	1019	1218	1299	518	613	810	1019	1218	1299
Air flow	m ³ /h	1460	1780	2445	3155	3830	4110	1235	1505	2070	2670	3240	3475	1073	1310	1799	2321	2816	3020
WT=85/75°C Heating emission	kW	10,44	11,52	13,34	14,93	16,20	16,66	15,01	16,88	20,17	23,09	25,37	26,23	16,61	19,04	23,39	27,22	30,46	31,69
WT=85/75°C Leaving air temperature	°C	36	34	31	29	27	27	51	48	44	40	38	37	60	58	53	49	47	46
WT=85/70°C Heating emission	kW	9,52	10,48	12,11	13,53	14,68	15,08	13,74	15,44	18,38	20,97	23,09	23,88	15,30	17,48	21,37	24,89	27,76	28,87
WT=85/70°C Leaving air temperature	°C	34	32	29	28	26	26	48	45	41	38	36	35	57	54	50	46	44	43
WT=80/60°C Heating emission	kW	7,67	8,42	9,71	10,82	11,70	12,04	11,15	12,51	14,87	16,89	18,53	19,15	12,55	14,27	17,38	20,14	22,42	23,26
WT=80/60°C Leaving air temperature	°C	30	29	27	25	24	24	41	39	36	34	32	31	49	47	43	40	38	38
Motor power input	W	21,0	32,0	65,0	119,0	192,0	253,0	21,0	32,0	65,0	119,0	192,0	253,0	21,0	32,0	65,0	119,0	192,0	253,0
Sound power (Lw)	dB(A)	53,5	58,5	66,5	72,5	77,0	79,0	53,5	58,5	66,5	72,5	77,0	79,0	53,5	58,5	66,5	72,5	77,0	79,0
Sound pressure (Lp) ⁽¹⁾	dB(A)	31,5	36,5	44,5	50,5	55,0	57,0	31,5	36,5	44,5	50,5	55,0	57,0	31,5	36,5	44,5	50,5	55,0	57,0
Concealed installation: Height	m	3 ÷ 4,5																	
Concealed installation: Throw	m	8,5	9,5	11	12,5	14	14,5	6,5	7	8,5	9,6	11	12,5	6	6,5	8	9	10	11
Ceiling installation: Height	m	-	-	4	4,5	5	5	-	-	3,5	4	4	4,5	-	-	-	3,5	4	4
Ceiling installation: Influence area	m ²	-	-	60	65	70	70	-	-	50	55	60	65	-	-	-	50	55	60

(1) The sound pressure levels dB(A) are measured at a distance of 5m, directional factor Q = 2, compliant with the EN 3744 standard
WT Water temperature

Heating mode

Entering air temperature: 15 °C

Model	Inverter power	AT-ECM 51						AT-ECM 52						AT-ECM 53					
		1	2	4	6	8	10	1	2	4	6	8	10	1	2	4	6	8	10
Speed	rpm	519	612	821	1013	1224	1302	519	612	821	1013	1224	1302	519	612	821	1013	1224	1302
Air flow	m ³ /h	1790	2185	3060	3870	4755	5085	1545	1880	2635	3335	4100	4380	1379	1681	2355	2977	3658	3910
WT=85/75°C Heating emission	kW	13,09	14,45	16,91	18,77	20,45	21,01	18,99	21,35	25,80	29,19	32,34	33,37	21,35	24,42	30,38	34,96	39,34	40,84
WT=85/75°C Leaving air temperature	°C	36	34	31	29	28	27	51	48	44	41	38	37	60	58	53	49	46	46
WT=85/70°C Heating emission	kW	12,05	13,28	15,48	17,18	18,72	19,20	17,51	19,68	23,71	26,81	29,65	30,61	19,80	22,61	28,01	32,17	36,18	37,46
WT=85/70°C Leaving air temperature	°C	35	33	30	28	27	26	48	46	41	39	36	35	57	54	50	47	44	43
WT=80/60°C Heating emission	kW	9,83	10,81	12,62	13,94	15,17	15,54	14,42	16,16	19,38	21,86	24,16	24,90	16,41	18,67	23,05	26,38	29,62	30,63
WT=80/60°C Leaving air temperature	°C	31	29	27	26	24	24	42	40	37	34	32	32	50	48	44	41	39	38
Motor power input	W	59,0	104,0	156,0	219,0	265,0	265,0	59,0	104,0	156,0	219,0	265,0	265,0	59,0	104,0	156,0	219,0	265,0	265,0
Sound power (Lw)	dB(A)	56,5	61,5	69,0	74,5	79,5	82,0	56,5	61,5	69,0	74,5	79,5	82,0	56,5	61,5	69,0	74,5	79,5	82,0
Sound pressure (Lp) ⁽¹⁾	dB(A)	34,5	39,5	47,0	52,5	57,5	60,0	34,5	39,5	47,0	52,5	57,5	60,0	34,5	39,5	47,0	52,5	57,5	60,0
Concealed installation: Height	m	3 ÷ 4,5																	
Concealed installation: Throw	m	10	12,6	15	17	19	19	8	10,5	12	14	15	15	7	9	10,5	12	13	13
Ceiling installation: Height	m	-	-	5	5,5	6	6	-	-	4,5	5	5	5	-	-	4	4,5	5	5
Ceiling installation: Influence area	m ²	-	-	80	80	85	85	-	-	70	75	80	80	-	-	65	70	75	75

(1) The sound pressure levels dB(A) are measured at a distance of 5m, directional factor Q = 2, compliant with the EN 3744 standard
WT Water temperature

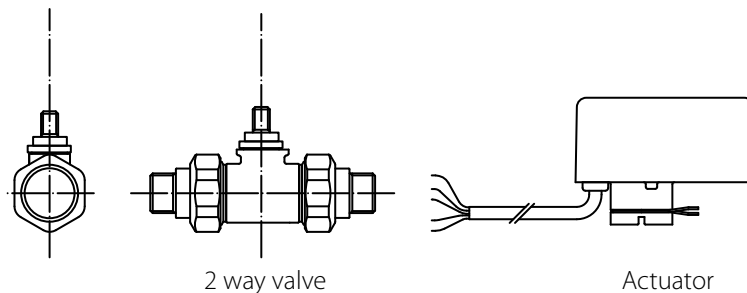
Entering air temperature: 15 °C

Model	Inverter power	AT-ECM 61						AT-ECM 62						AT-ECM 63					
		1	2	4	6	8	10	1	2	4	6	8	10	1	2	4	6	8	10
Speed	rpm	510	615	821	1016	1216	1301	510	615	821	1016	1216	1301	510	615	821	1016	1216	1301
Air flow	m ³ /h	1895	2380	3335	4235	5165	5555	1695	2130	2980	3790	4620	4970	1539	1936	2710	3444	4198	4517
WT=85/75°C Heating emission	kW	15,01	16,82	19,76	22,02	23,96	24,73	21,87	25,19	30,50	34,72	38,33	39,72	24,65	28,97	36,04	41,70	46,82	48,80
WT=85/75°C Leaving air temperature	°C	38	36	32	30	29	28	53	50	45	42	39	38	62	59	54	50	48	47
WT=85/70°C Heating emission	kW	13,86	15,55	18,24	20,29	22,09	22,78	20,32	23,35	28,20	32,06	35,41	36,70	23,00	26,93	33,44	38,64	43,28	45,10
WT=85/70°C Leaving air temperature	°C	36	34	31	29	28	27	50	47	43	40	37	37	59	56	51	48	45	44
WT=80/60°C Heating emission	kW	11,47	12,81	14,98	16,68	18,13	18,68	16,88	19,37	23,34	26,48	29,17	30,20	19,25	22,48	27,76	32,00	35,82	37,27
WT=80/60°C Leaving air temperature	°C	33	31	28	27	25	25	44	42	38	35	33	33	52	49	45	42	40	39
Motor power input	W	27,3	44,6	98,7	183,2	315,5	386,5	27,3	44,6	98,7	183,2	315,5	386,5	27,3	44,6	98,7	183,2	315,5	386,5
Sound power (Lw)	dB(A)	57,5	62,5	70,5	76,5	81,0	83,0	57,5	62,5	70,5	76,5	81,0	83,0	57,5	62,5	70,5	76,5	81,0	83,0
Sound pressure (Lp) ⁽¹⁾	dB(A)	35,5	40,5	48,5	54,5	59,0	61,0	35,5	40,5	48,5	54,5	59,0	61,0	35,5	40,5	48,5	54,5	59,0	61,0
Concealed installation: Height	m	3 ÷ 5																	
Concealed installation: Throw	m	11	14	17	20	22	22	9	11,5	13,5	16	17	17	8	9,5	11,5	13,5	14,5	14,5
Ceiling installation: Height	m	-	-	5,5	6	6,5	6,5	-	-	5	5	5,5	5,5	-	-	4,5	5	5	5
Ceiling installation: Influence area	m ²	-	-	90	95	100	100	-	-	85	90	90	90	-	-	80	85	85	85

(1) The sound pressure levels dB(A) are measured at a distance of 5m, directional factor Q = 2, compliant with the EN 3744 standard
WT Water temperature

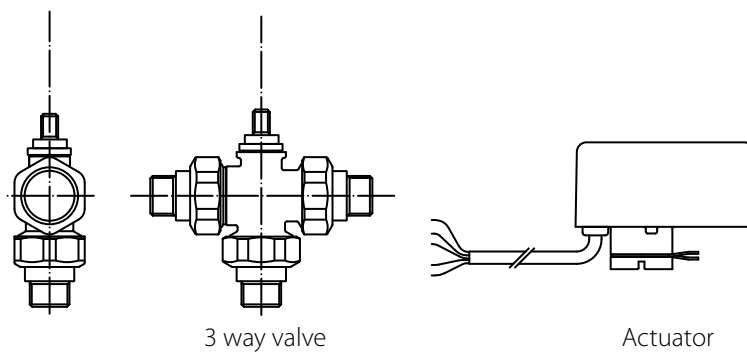
VA2V 2 way valve

- Composed by:
- one 2-way valve
 - one ON-OFF 230V actuator

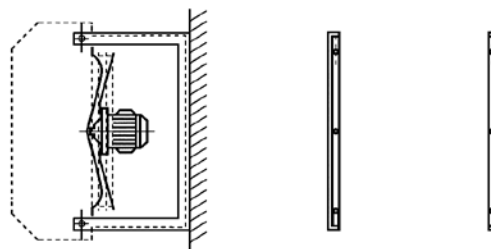


VA3V 3 way valve

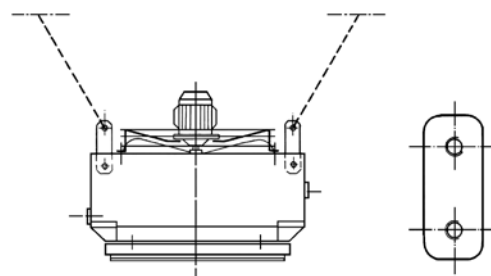
- Composed by:
- one 3-way valve
 - one ON-OFF 230V actuator



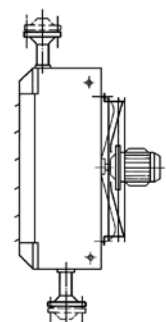
AMP Wall bracket



AS Suspension plate for ceiling installation

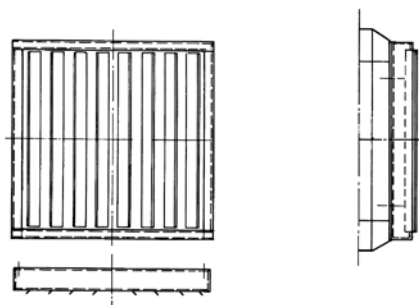


AF Flanged connections PN16 UNI 2282 (Atlas ECM excluded)



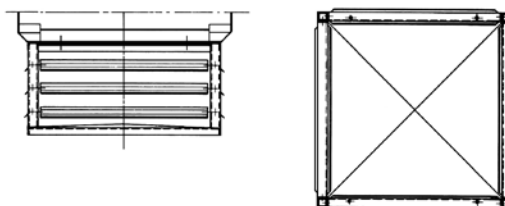
AD 4 way diffuser

To be used when discharging downflow to create a 4 way discharge pattern
For normal heights of installation



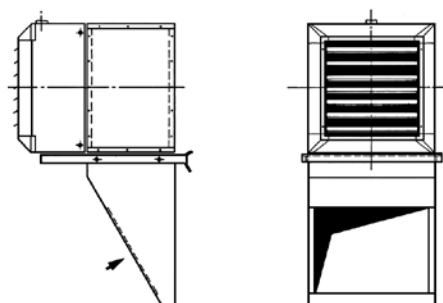
AW4 4 way diffuser

To be used when discharging downflow to create a 4 way discharge pattern
For low heights of installation



ARC Simple intake hood fitted underneath

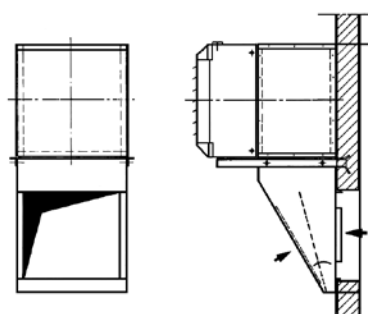
Wall bracket included
Prepainted steel thickness 1 mm



AMC Double intake hood

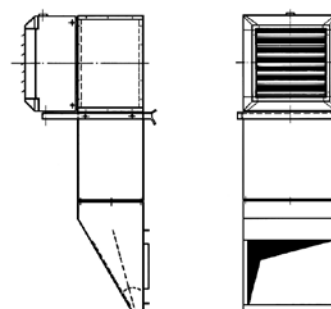
with internal/external air mixing, manually controlled damper

Wall bracket included
Prepainted steel thickness 1 mm



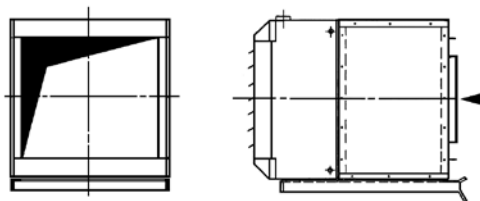
AP Intermediate section for ARC and AMC air boxes

Prepainted steel thickness 1 mm



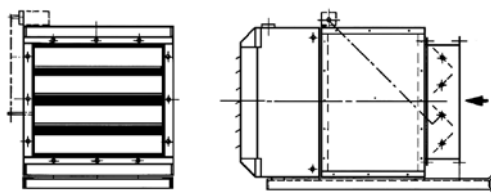
AE Fresh air box

Prepainted steel thickness 1 mm



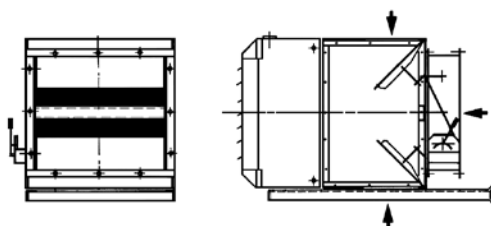
AES Fresh air box with manually operated damper (can be motorized by the customer)

Prepainted steel thickness 1 mm



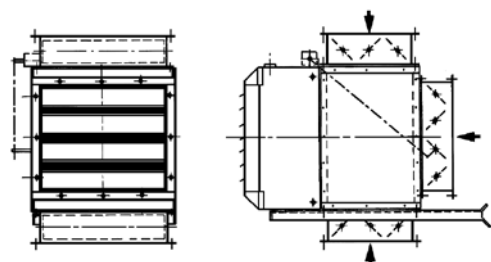
AM Internal/external air mixing box manually controlled

Prepainted steel thickness 1 mm



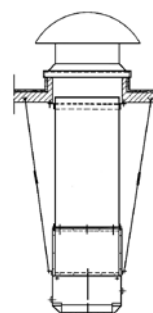
AMS Internal/external air mixing box, manually controlled (can be motorized by customer)

Prepainted steel thickness 1 mm

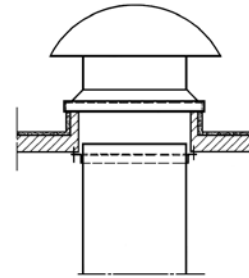


AC Intermediate section for AE - AES - AM - AMS air boxes

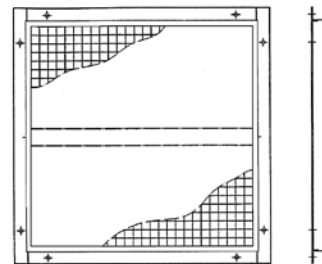
(Atlas ECM excluded)



AT **Roof-mounted air intake**
(Atlas ECM excluded)

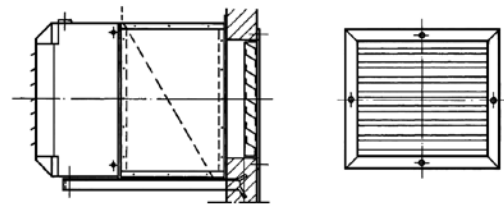


APP **Ball protection grid**



AG **Fresh air intake grille suitable with AE - AES - AMC air boxes**

Galvanized steel thickness 1 mm



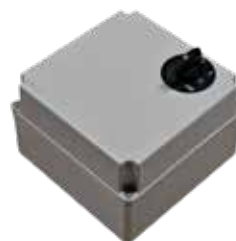
• **Two speed Delta-Star motors, 4/6 or 6/8 poles, three phase, IP 55, with klixon thermic protection**

DSS **Delta-Star switch**
for two speed Delta-Star motors, 4/6 or 6/8 poles



Manual two-position switch
for two speed Delta-Star motors, 4/6 or 6/8 poles

BS 2S without thermostat
BS 2-ST with thermostat



Multi-function automatic control panel
for two speed Delta-Star motors, 4/6 or 6/8 poles

BSA-B without timer
BSA-A with manual daily timer
BSA-D with digital weekly timer



• **Single speed flame proof motor II 2G IIB T4/T3 - compliant with the ATEX Standard**

• **Capacitor for single phase motor (not mounted)**

WM-UH-ECM **Control board**



LC-P220 **0-10V/230V signal generator**



NTC-10K-WM **NTC remote probe 10K IP55 for WM-UH-ECM control board**

Only for remote air probe to be used with WM-UH-ECM control board



WM-S-ECM **Control with continuous variation**
with electronic thermostat, summer/winter switch and LCD display





A company of Arbonia Group
ARBONIA ▲

Follow us



Sabiana app



SABIANA SpA

Società a socio unico

Via Piave 53 - 20011 Corbetta (MI) Italia

T. +39 02 97203 1 r.a. • F. +39 02 9777282

info@sabiana.it

www.sabiana.it